

London & South East Operations

Imperial House, 1 Factory Road,
Silvertown,
London E16 2EL

Tel: 0207 473 2712

Fax: 0207 473 2713

info@quickbuild.uk.com

www.quickbuild.uk.com

INSTALLATION INSTRUCTIONS QUICKBUILD CONTAINER SC3000 - 2015



ATTENTION

The total permissible weight of 3,000kg* for crane transportation must be evenly distributed over the complete container floor. When lifting the container the stacking forks must be 1.5m long and situated fully under the container.

Please keep these instructions in a safe place.

QUICKBUILD CONTAINER

We are pleased that you have decided to purchase one of our new Quickbuild Containers and thank you for showing confidence in our product.

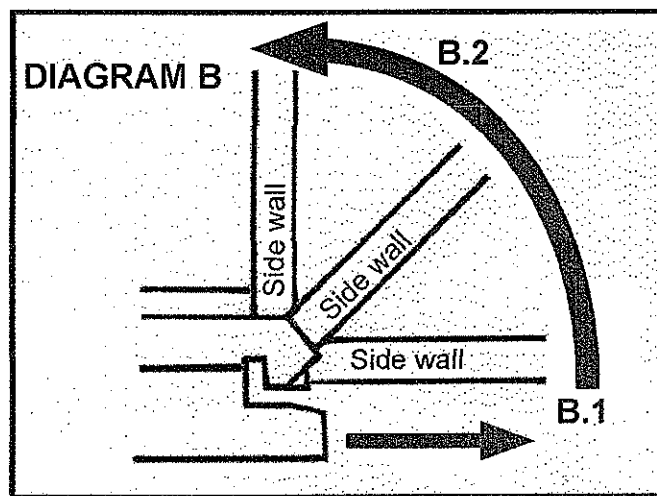
This leaflet should help you to erect the container quickly and professionally. Should you have any problems during the erection, find a flaw or have any ideas for improving this container do not hesitate to contact our office on: 0207 473 2712 as your comments will help us to get better day by day!

| Description and Contents | Number |
|-------------------------------|--------|
| Side Walls | 2 |
| Rear Wall | 1 |
| Door Frame with Folding Doors | 1 |
| Roof | 1 |
| Floor | 1 |
| Door Handle Set | 1 |

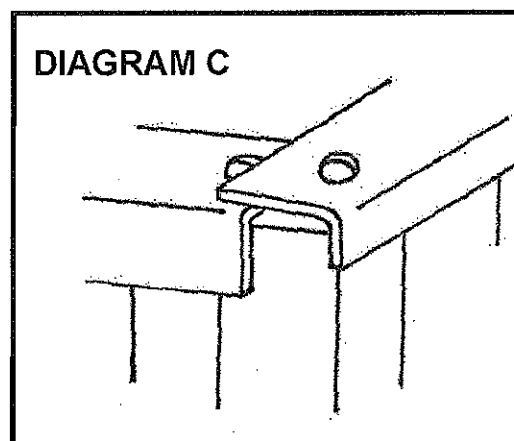
FOR ERECTING YOU WILL NEED ONLY A SCREWDRIVER AND SNIPS.

To comply with the current H.S.E. Legislation, we strongly recommend the use of Personal Protection Equipment (due to the possibility of sharp edges when erecting).

1. Remove band clamps, separate and place all parts on the floor. Remove the doors from their hinges.
2. Hook side wall under floor (**Diagram B**) and gently pull panel away from floor (**B.1**). Then gently lift panel up into upright position (to make sure panel does not fall over use metal pack bar to support panel). Then carry out same procedure with back panel.

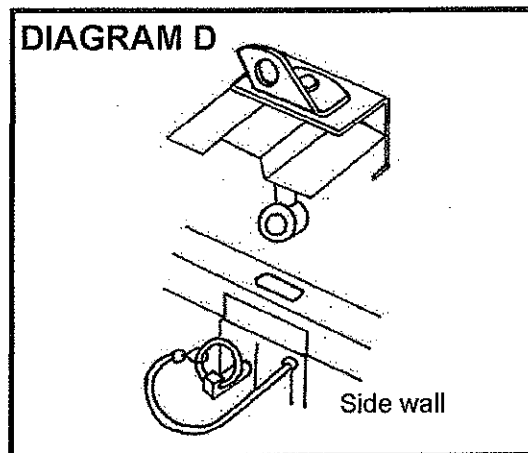


3. When back panel has been lifted into upright position make sure it overlaps side panel then secure with split pin through both holes where panels meet (**Diagram C**).

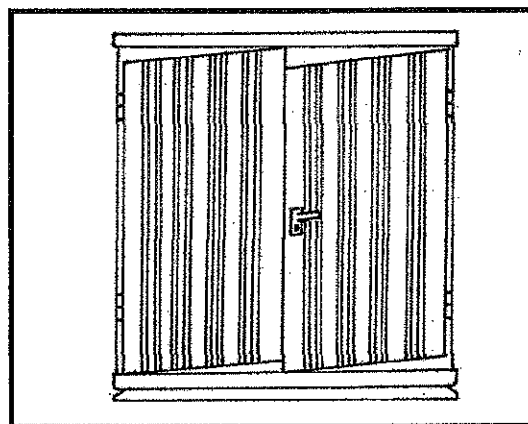


4. Now same procedure as 3. with the last side wall, making sure panel overlaps and split pin is placed through both holes. Then carry out the same procedure for the door frame.

5. Now hang doors onto hinges on door frame and fit door handles to door making sure door handles are tightened up on inside with Allan Key (supplied).
6. Now screw eye bolts to castle nuts on underside of roof and then lift roof from side of unit into place making sure eye bolts locate into designated position on side panels then secure with spring clips through eye bolts (see Diagram D).

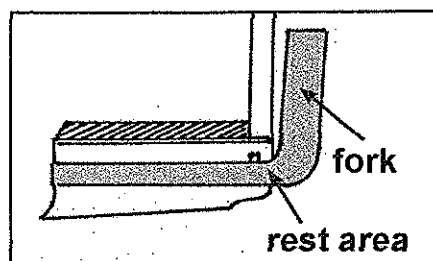


7. Secure the two L shaped bars to the front of the floor where the doors are with nails (supplied). If doors do not shut or line up the ground is not level so the unit should be levelled up. Unit is now complete.

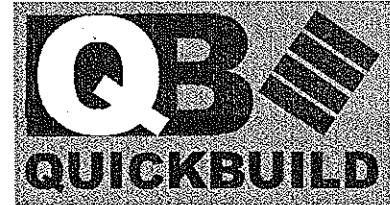


PLEASE NOTE:

The maximum permissible load of 3000kg must be evenly distributed over the whole floor when lifting up the container by a forklift. Ensure that the floor profiles (see illustration) lay on the forks.



TECHNICAL DESCRIPTION OF THE QUICKBUILD SC3000



CONTAINER DIMENSIONS

| | | | |
|----------------|-------------|---------|--------|
| Height: | Outside | 2100mm | |
| | Inside | 1930mm | |
| Width: | Outside | 2100mm | |
| | Inside | 1980mm | |
| Length: | SC3000 2x2: | Outside | 2100mm |
| | | Inside | 1980mm |
| | SC3000 3x2: | Outside | 3100mm |
| | | Inside | 2980mm |
| | SC3000 4x2: | Outside | 4100mm |
| | | Inside | 3980mm |

CONSTRUCTION

- Galvanised, solidly built construction made of steel.
- Manufactured of specifically beaded side and roof panels.
- Extremely loadable roof: 210kg/m².
- Sturdy OSB wooden floor. Load: 500kg/m² by evenly distributed load.
- Best Point Technology - via the unique joining of the components the protective zinc coating remains undamaged.
- Total permissible weight: 3000kg.
- Patented quick-lock fasteners for quick and easy assembly without tools.

EQUIPMENT

- 3 variations are selectable:
 - Single door front wall: w: 1305mm h: 1890mm
 - Single door side wall: w: 1160mm h: 1890mm
 - Double door front wall: w: 1950mm h: 1890mm
- Clearance support (60mm ground clearance) underneath the wooden floor for the safe forklift transportation and ground ventilation.
- 4 jack rings as standard.

DELIVERY

- Dismantled delivery as kit - saves freight charges.
- 8 containers can be stacked up - saves storage space.

DELIVERY TIME

- Usually Ex stock.